



## UPVC Filter Cartridge Housings

Grace UPVC Cartridge Filter Housings feature excellent anti-corrosion ability by the wide chemical compatibility. Compared with products made of stainless steel in the same dimensions, the UPVC cartridge filter housings advantage of lightness, superior corrosion resistance, low cost and rust free. Innovative designs such as spin-off cap closure with easy element change out and mounting flange with secure installation make the UPVC filter housings ideal for various processes without complicated preparation.

- Ⓞ **Free of rust contamination in process fluid because of excellent anti-corrosion ability.**
- Ⓞ **Compared with products made by stainless steel, the UPVC filter housings advantage of lightness and low cost.**
- Ⓞ **Spin-off cap closure requires just a few turns to open and close, making element change out easy and quick.**
- Ⓞ **Bottom mounting flange provides secure and stable installation, enhanced safety and improved consistency during processes.**

### Applications

Pre RO, Desalination, Waste Water Treatment, Household Water Filtration

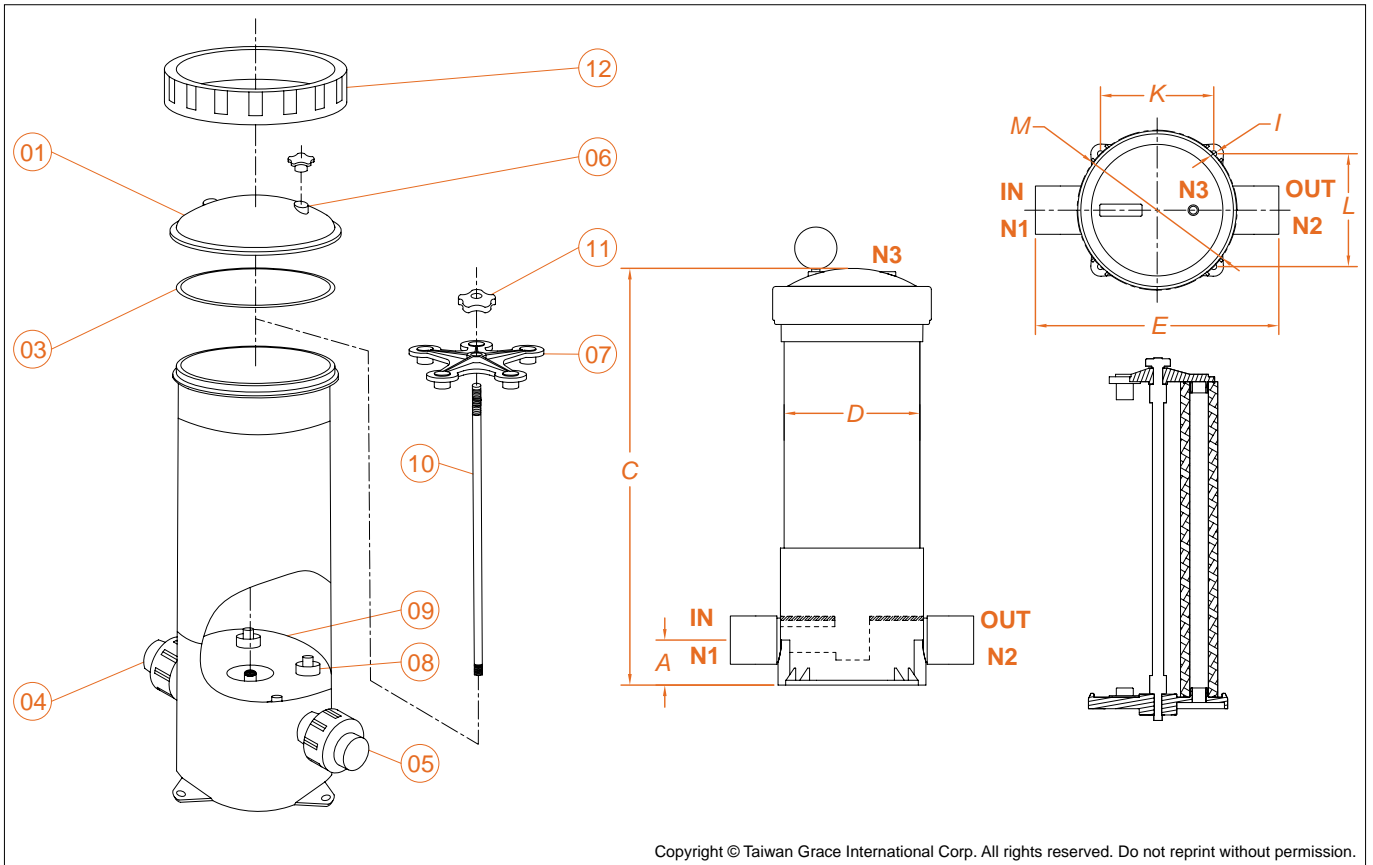
### Operation Data

Maximum Operating Temperature : 60°C (140°F)  
Maximum Operating Pressure : 4 bar(58 psi)

### Ordering Information

Type	Length of Cartridge	Material of Construction	Number of Cartridges	Inlet/Outlet Size (inch/mm)		O-ring Option
				Pipe Standard	Gauge Size	
UFC Cartridge Filter Housing	10 - 10"	U - UPVC	3 - 3pcs 5 - 5pcs	A - ANSI	15 - 1.5"(48mm)	E -EPDM V -Viton S -Silicone
	20 - 20"				20 - 2"(60mm)	
	30 - 30"			D - DIN	40 - 50mm	
	40 - 40"				50 - 63mm	
UFC Cartridge Filter Housing	30 30"	U UPVC	5 5pcs	A ANSI	20 2"	E EPDM O-ring

# UPVC Filter Cartridge Housings



## Components

No.	Description	Qty
01	Top Cap	1
02	Shell	1
03	O-ring	1
04	Port(Inlet)	1
05	Port(Outlet)	1
06	Vent	1
07	Cartridge Squeeze Plate	1
08	Cartridge Bowl	3, 5
09	Cartridge Support Plate	1
10	Screw Stay	1
11	Nut	1
12	Retainer Ring	1

## Dimensions

Model	A	C	ØD	E		ØJ	K	L	ØM	N1	N2	N3	Flow Rate	G. Weight
				DIN/ANSI 1.5"	DIN/ANSI 2"									
UFC10U3/5	75	465	225	365	473	10	188	186	262	DIN/ANSI	1/4"	0~ 25 GPM / 0 ~ 5 m³/hr	8.0kg	
UFC20U3/5	75	715	225	365	473	10	188	186	262	1.5"	1/4"	0~ 55 GPM / 0 ~ 11 m³/hr	9.5kg	
UFC30U3/5	75	965	225	365	473	10	188	186	262	DIN/ANSI	1/4"	0~ 85 GPM / 0 ~ 17 m³/hr	13.0kg	
UFC40U3/5	75	1215	225	365	473	10	188	186	262	2"	1/4"	0~110 GPM / 0 ~ 22 m³/hr	15.3kg	

UNIT : mm

Customized housings are available on requests.

Actual flow rates will be determined on element selection and fluid viscosity.



## UPVC High Pressure Cartridge Filter Housings

Grace UPVC High Pressure Cartridge Filter Housings have excellent anti-corrosion ability because parts that have contact with process fluids are made of UPVC. Compared with products made of stainless steel in the same dimensions, the UPVC cartridge filter housings prevail of lightness, low cost and rust free. Secure quick swing bolt closure makes element change out convenient and exhibits better sealing performance. Mounting flange provides stable installation and turns UPVC filter housings as ideal options for various processes without complicated preparation.

- Ⓞ **Free of rust contamination in process fluid because of excellent anti-corrosion ability.**
- Ⓞ **Compared with products made by stainless steel, the UPVC filter housings prevail of lightness and low cost.**
- Ⓞ **Quick swing bolt closure makes element change out convenient and exhibits better sealing performance.**
- Ⓞ **Bottom mounting flange provides secure installation, enhanced safety and improved consistency during processes.**

### Applications

Pre RO, Desalination, Waste Water Treatment, Household Water Filtration

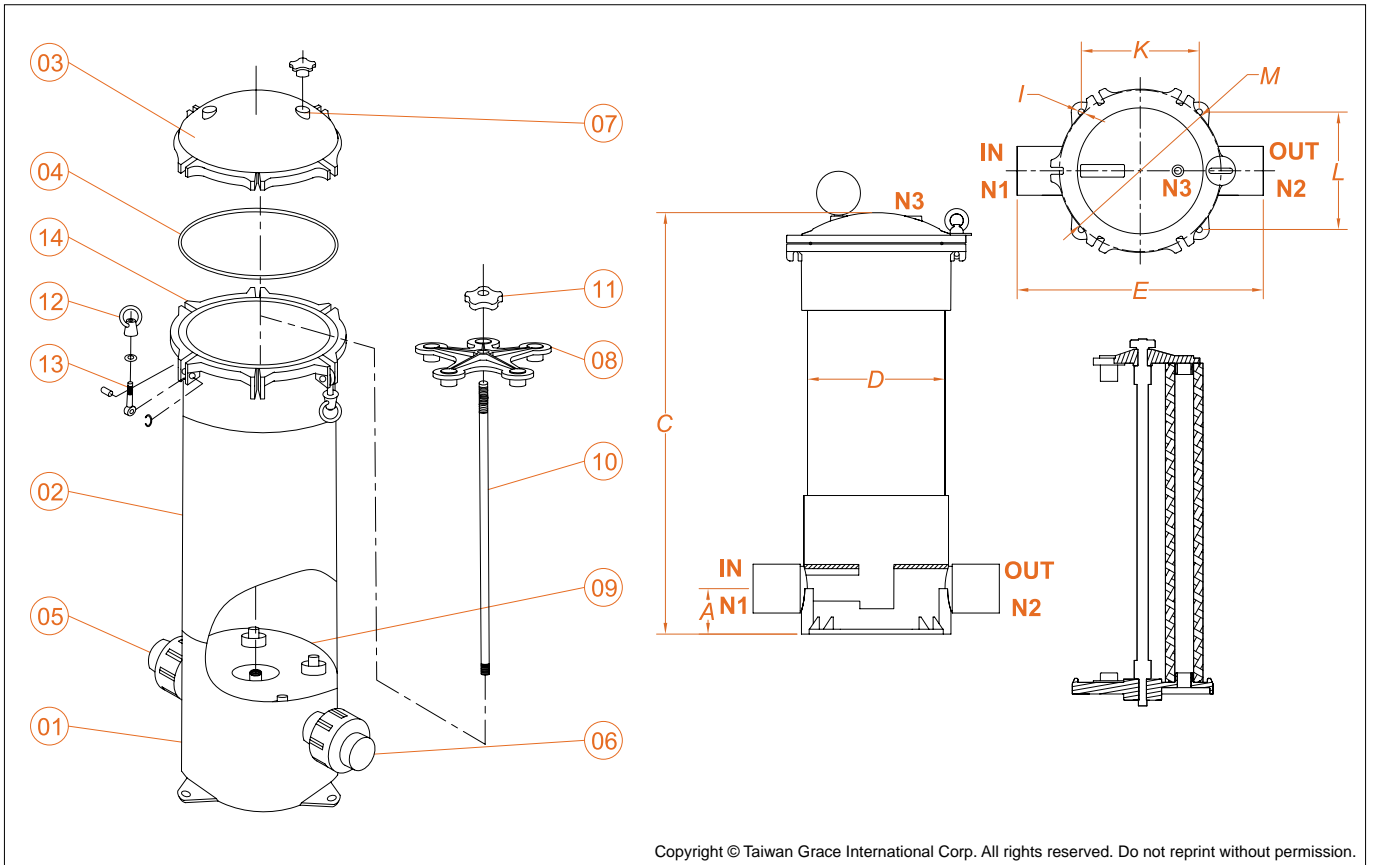
### Operation Data

Maximum Operating Temperature : 60°C (140°F)  
Maximum Operating Pressure : 4 bar(58 psi)

### Ordering Information

Type	Length of Cartridge	Material of Construction	Number of Cartridges	Inlet/Outlet Size (inch/mm)		O-ring Option
				Pipe Standard	Gauge Size	
UFCG High Pressure Cartridge Filter Housing	10 - 10"	U - UPVC	3 - 3pcs 5 - 5pcs	A - ANSI	15 - 1.5"(48mm)	E -EPDM V -Viton S -Silicone
	20 - 20"				20 - 2"(60mm)	
	30 - 30"			D - DIN	40 - 50mm	
	40 - 40"				50 - 63mm	
UFCG High Pressure Cartridge Filter Housing	30 30"	U UPVC	5 5 pcs	A ANSI	20 2"	S Silicone O-ring

# UPVC High Pressure Cartridge Filter Housings



Copyright © Taiwan Grace International Corp. All rights reserved. Do not reprint without permission.

## Components

No.	Description	Qty
01	Pedestal	1
02	Body	1
03	Cap	1
04	O-ring	1
05	Port(Inlet)	1
06	Port(Outlet)	1
07	Vent	1
08	Cartridge Squeeze Plate	3, 5
09	Cartridge Support Plate	1
10	Screw Stay	1
11	Nut	1
12	Eye Nut	6
13	Eye Bolt	6
14	Eye Bolt Socket	6

## Dimensions

Model	A	C	ØD	E		ØJ	K	L	ØM	N1 N2	N3	Flow Rate	G. Weight
				DIN/ANSI 1.5"	DIN/ANSI 2"								
UFCG10U3/5	75	465	225	365	473	10	188	186	290	DIN/ANSI	1/4"	0~ 25 GPM / 0 ~ 5 m <sup>3</sup> /hr	8.0kg
UFCG20U3/5	75	715	225	365	473	10	188	186	290	1.5"	1/4"	0~ 55 GPM / 0 ~ 11 m <sup>3</sup> /hr	9.5kg
UFCG30U3/5	75	965	225	365	473	10	188	186	290	DIN/ANSI	1/4"	0~ 85 GPM / 0 ~ 17 m <sup>3</sup> /hr	13.0kg
UFCG40U3/5	75	1215	225	365	473	10	188	186	290	2"	1/4"	0~110 GPM / 0 ~ 22 m <sup>3</sup> /hr	15.3kg

UNIT : mm

Customized housings are available on requests.

Actual flow rates will be determined on element selection and fluid viscosity.



## **UPVC High Pressure Multi-cartridges Filter Housings**

**G**race UPVC High Pressure Multi-cartridges Filter Housings feature excellent anti-corrosion by wide chemical compatibility. Compared with products made of stainless steel in the same dimensions, the UPVC cartridge filter housings advantage of lightness, superior corrosion resistance, low cost and rust free. Secure quick swing bolt closure makes element change out convenient and exhibits a better sealing performance, making the UPVC high pressure filter housings ideal for critical processes requiring high flow capacity.

- ⊗ **Free of rust contamination in process fluid because of excellent anti-corrosion ability.**
- ⊗ **Compared with products made of stainless steel, the UPVC filter housings advantage of lightness and low cost.**
- ⊗ **Quick swing bolt closure makes element change out convenient and provides a better sealing performance.**
- ⊗ **The high pressure type housings accept 9 rounds of filter cartridges, producing higher flow capacity for critical chemical processes.**

### **Applications**

Pre RO, Desalination, Waste Water Treatment, Household Water Filtration

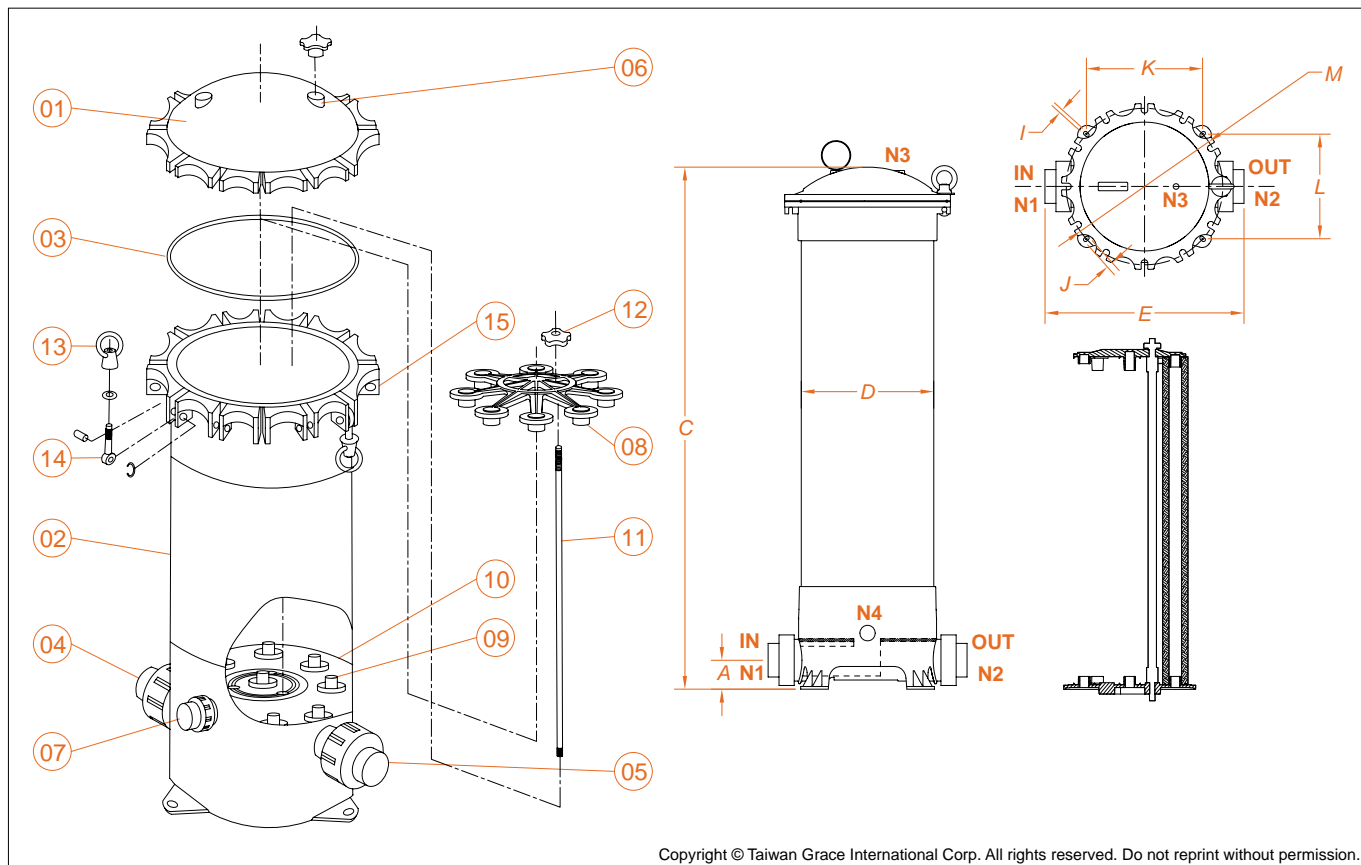
### **Operation Data**

Maximum Operating Temperature : 60°C (140°F)  
Maximum Operating Pressure : 4 bar(58 psi)

### **Ordering Information**

Type	Length of Cartridge	Material of Construction	Number of Cartridges	Inlet/Outlet Size (inch/mm)		O-ring Option
				Pipe Standard	Gauge Size	
<b>UFCG</b> High Pressure Cartridge Filter Housing	10 - 10"	U - UPVC	8-8pcs 9-9pcs	A - ANSI	30-3"(89mm)	E -EPDM V -Viton S -Silicone
	20 - 20"					
	30 - 30"			D - DIN	80-90mm	
	40 - 40"					
<b>UFCG</b> High Pressure Cartridge Filter Housing	30 30"	U UPVC	8 8 pcs	A ANSI	30 3"	S Silicone O-ring

## UPVC High Pressure Multi-cartridges Filter Housings



Copyright © Taiwan Grace International Corp. All rights reserved. Do not reprint without permission.

### Components

No.	Description	Q'ty
01	Top Cap	1
02	Shell	1
03	O-ring	1
04	Port(Inlet)	1
05	Port(Outlet)	1
06	Vent	1
07	Drain	1
08	Cartridge Squeeze Plate	1
09	Cartridge Bowl	9
10	Cartridge Support Plate	1
11	Screw Stay	3
12	Nut	3
13	Eye Nut	12
14	Eye Bolt	12
15	Eye Bolt Socket	12

### Dimensions

Model	A	C	ØD	E	I	J	K	L	ØM	N1	N2	N3	N4	Flow Rate	G. Weight
UFCG10U8/9	69	495	315	510	9	15	276	249	395			1/4"		0~ 45 GPM / 0 ~ 10 m <sup>3</sup> /hr	8.0kg
UFCG20U8/9	69	745	315	510	9	15	276	249	395	DIN 3"		1/4"	DIN 1/2"	0~ 90 GPM / 0 ~ 20 m <sup>3</sup> /hr	9.5kg
UFCG30U8/9	69	995	315	510	9	15	276	249	395	ANSI 3"		1/4"	ANSI 1/2"	0~135 GPM / 0 ~ 30 m <sup>3</sup> /hr	13.0kg
UFCG40U8/9	69	1245	315	510	9	15	276	249	395			1/4"		0~180 GPM / 0 ~ 40 m <sup>3</sup> /hr	15.3kg

UNIT : mm

Customized housings are available on requests.

Actual flow rates will be determined on element selection and fluid viscosity.

## UPVC Bag Filter Housings



Grace UPVC Bag Filter Housings feature excellent anti-corrosion by wide chemical compatibility. Compared with products made of stainless steel in the same dimensions, the UPVC filter housings advantage of lightness, superior corrosion resistance, low cost and rust free. Innovative design of spin-off cap closure makes element change out easy and convenient, exempting complicated preparation. All units are shipped with bag hold-down assembly to avoid bypass and thereof enhance filtration quality.

- ⊗ **Free of rust contamination in process fluid because of excellent anti-corrosion ability.**
- ⊗ **Compared with products made of stainless steel, the UPVC filter housings prevail of lightness and low cost.**
- ⊗ **Spin-off cap closure requires just a few turns to open and close, making element change out easy and quick.**
- ⊗ **All units are shipped with bag hold-down assembly to avoid bypass possibilities.**

### Applications

Pre RO, Desalination, Waste Water Treatment, Household Water Filtration

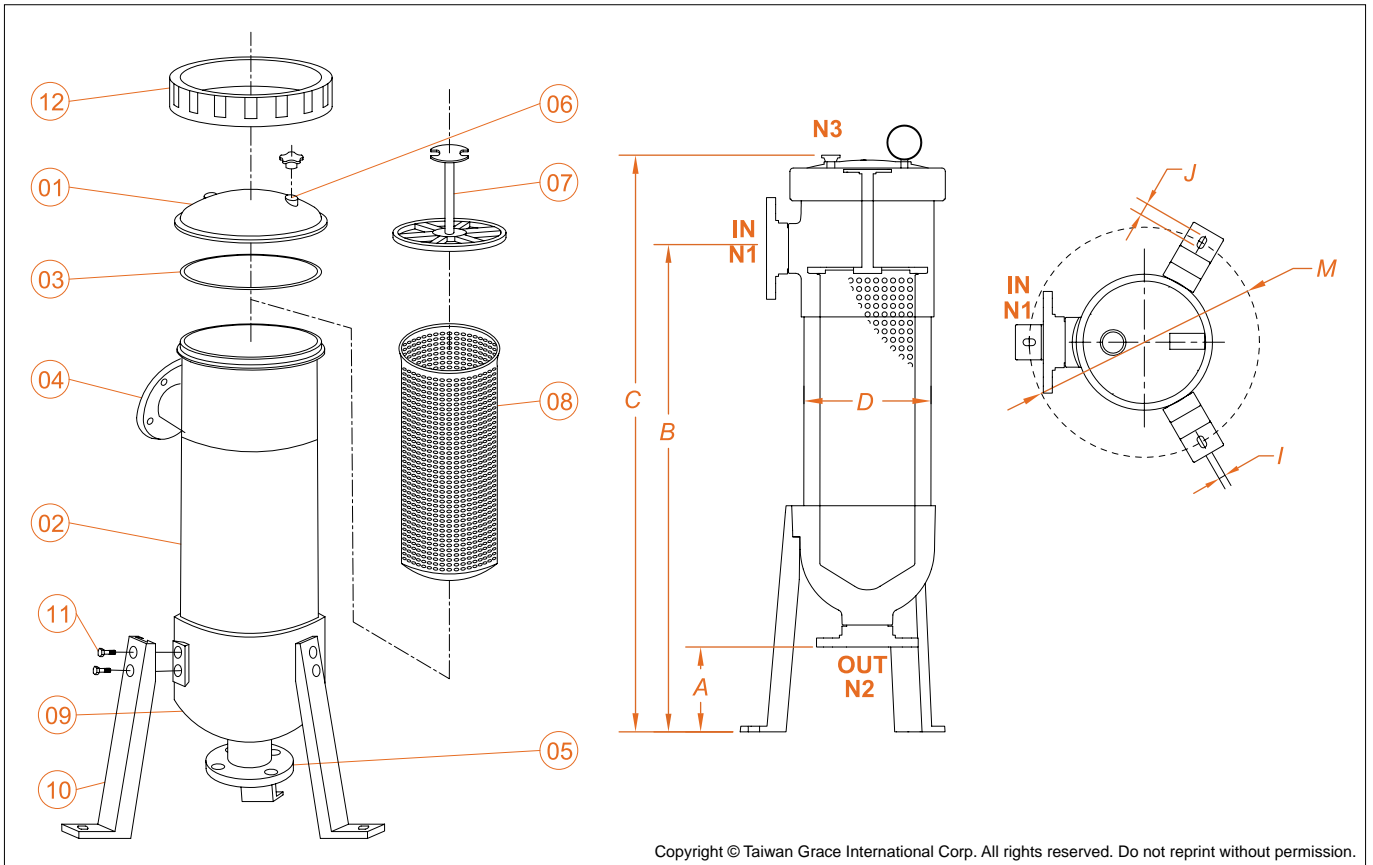
### Operation Data

Maximum Operating Temperature : 60°C (140°F)  
Maximum Operating Pressure : 4 bar(58 psi)

### Ordering Information

Type	Bag Size	Material of Construction	Number of Bag	Inlet/Outlet Size (inch/mm)	O-ring Option
<b>UFB</b> Bag Filter Housing	<b>01-</b> Size 1 <b>02-</b> Size 2	<b>U</b> - UPVC	<b>1</b> - 1 pce	<b>A20</b> - ANSI 2" Flange(60mm) <b>D50</b> - DIN 50 Flange(63mm)	<b>E</b> -EPDM <b>V</b> -Viton <b>S</b> -Silicone
<b>UFB</b> Bag Filter Housing	<b>02</b> Size 2	<b>U</b> UPVC	<b>1</b> 1 pce	<b>A20</b> ANSI 2" Flange	<b>S</b> Silicone O-ring

# UPVC Bag Filter Housings



## Components

No.	Description	Q'ty
01	Top Cap	1
02	Shell	1
03	O-ring	1
04	Port(Inlet)	1
05	Port(Outlet)	1
06	Vent	1
07	Bag Hold-down Assembly	1
08	Support Basket	1
09	Pedestal	1
10	Support Leg	3
11	Screw	6
12	Retainer Ring	1

## Dimensions

Model	A	B	C	ØD	I	J	ØM	N1 N2	N3	Flow Rate	G. Weight
UFB01U1	150	630	785	225	12	22	407	DIN 2" / ANSI 2"	1/4"	0~ 90 GPM / 0 ~ 20 m <sup>3</sup> /hr	11.0kg
UFB02U1	150	1015	1180	225	12	22	407	DIN 2" / ANSI 2"	1/4"	0~200 GPM / 0 ~ 45 m <sup>3</sup> /hr	16.5kg

UNIT : mm

Customized housings are available on requests.

Actual flow rates will be determined on element selection and fluid viscosity.





## UPVC High Pressure Bag Filter Housings

Grace UPVC Bag Filter Housings feature excellent anti-corrosion by wide chemical compatibility. Compared with products made of stainless steel in the same dimensions, the UPVC filter housings advantage of lightness, low cost and rust free. All units are shipped with bag hold-down assembly to avoid bypass possibilities. Secure quick swing bolt closure makes element change out convenient and exhibits a better sealing performance, enabling the UPVC high pressure bag filter housings to withstand higher operating pressure in critical processes.

- Ⓞ **Free of rust contamination in process fluid because of excellent anti-corrosion ability.**
- Ⓞ **Compared with products made by stainless steel, the UPVC filter housings advantage of lightness and low cost.**
- Ⓞ **Quick swing bolt closure makes element change out convenient and provides a better sealing performance.**
- Ⓞ **All units are shipped with bag hold-down assembly to avoid bypass possibilities.**

### Applications

Pre RO, Desalination, Waste Water Treatment, Household Water Filtration

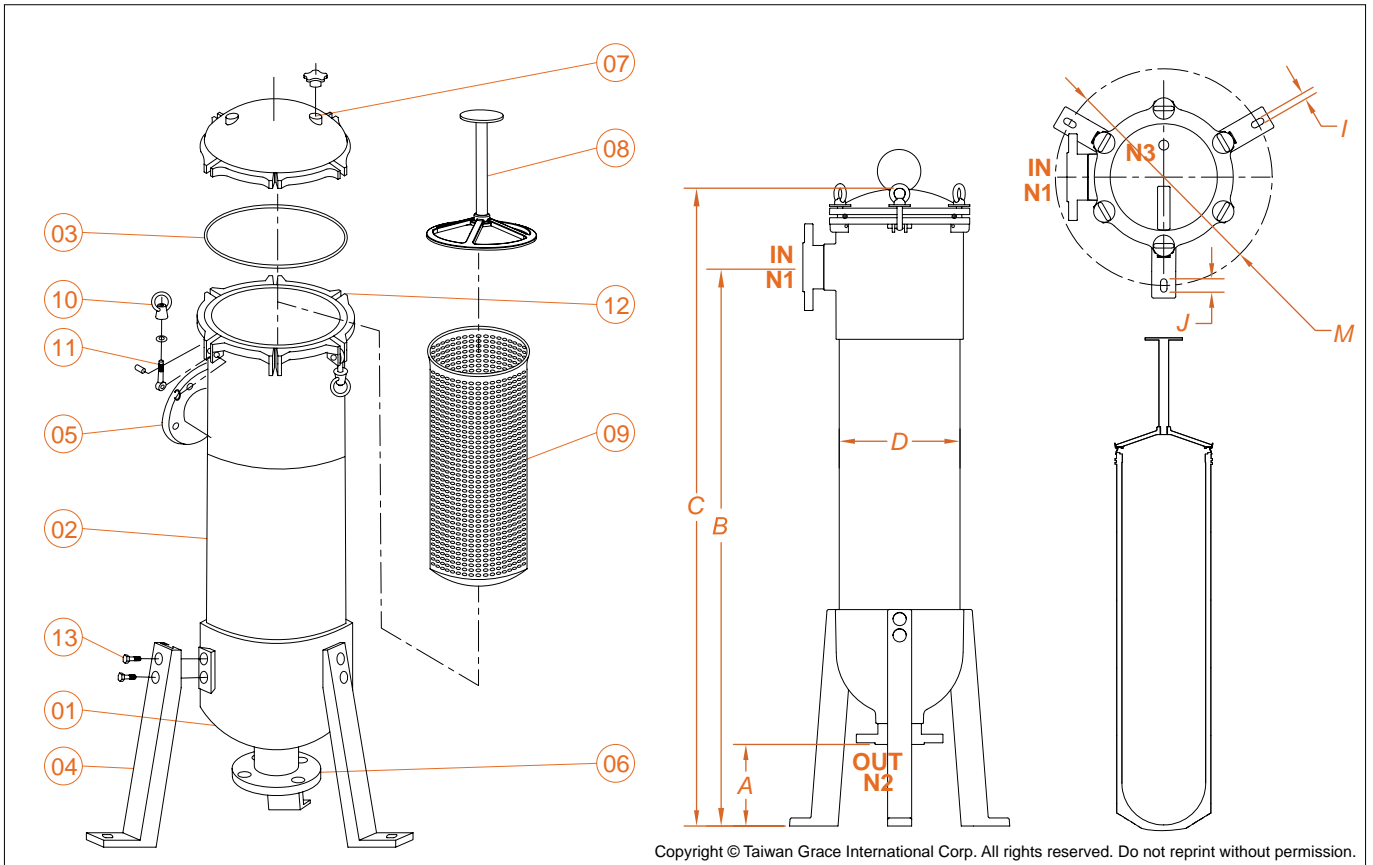
### Operation Data

Maximum Operating Temperature : 60°C (140°F)  
Maximum Operating Pressure : 4 bar(58 psi)

### Ordering Information

Type	Bag Size	Material of Construction	Number of Bag	Inlet/Outlet Size (inch/mm)	O-ring Option
<b>UFBG</b> High Pressure Bag Filter Housing	<b>01-</b> Size 1	<b>U</b> - UPVC	<b>1</b> - 1 pce	<b>A20</b> - ANSI 2" Flange(63mm) <b>D50</b> - DIN 50 Flange(50mm)	<b>E</b> -EPDM <b>V</b> -Viton <b>S</b> -Silicone
	<b>02-</b> Size 2				
<b>UFBG</b> High Pressure Bag Filter Housing	<b>02</b> Size 2	<b>U</b> UPVC	<b>1</b> 1 pce	<b>A20</b> ANSI 2" Flange	<b>S</b> Silicone O-ring

# UPVC High Pressure Bag Filter Housings



## Components

No.	Description	Q'ty
01	Pedestal	1
02	Body	1
03	O-ring	1
04	Leg Support	3
05	Inlet Port	1
06	Outlet Port	1
07	Vent	1
08	Support Basket	1
09	Basket	1
10	Eye Nut	6
11	Eye Bolt	6
12	Eye Bolt Socket	6
13	Screw	6

## Dimensions

Model	A	B	C	ØD	I	J	ØM	N1 N2	N3	Flow Rate	G. Weight
UFBG01U	150	665	820	225	12	22	407	DIN 2" / ANSI 2"	1/4"	0~ 90 GPM / 0 ~ 20 m <sup>3</sup> /hr	11.0kg
UFBG02U	150	1045	1200	225	12	22	407	DIN 2" / ANSI 2"	1/4"	0~200 GPM / 0 ~ 45 m <sup>3</sup> /hr	16.5kg

UNIT : mm

Customized housings are available on requests.

Actual flow rates will be determined on element selection and fluid viscosity.