



UPVC Filter Cartridge Housings

Grace UPVC Cartridge Filter Housings feature excellent anti-corrosion ability by the wide chemical compatibility. Compared with products made of stainless steel in the same dimensions, the UPVC cartridge filter housings advantage of lightness, superior corrosion resistance, low cost and rust free. Innovative designs such as spin-off cap closure with easy element change out and mounting flange with secure installation make the UPVC filter housings ideal for various processes without complicated preparation.

- Ⓞ **Free of rust contamination in process fluid because of excellent anti-corrosion ability.**
- Ⓞ **Compared with products made by stainless steel, the UPVC filter housings advantage of lightness and low cost.**
- Ⓞ **Spin-off cap closure requires just a few turns to open and close, making element change out easy and quick.**
- Ⓞ **Bottom mounting flange provides secure and stable installation, enhanced safety and improved consistency during processes.**

Applications

Pre RO, Desalination, Waste Water Treatment, Household Water Filtration

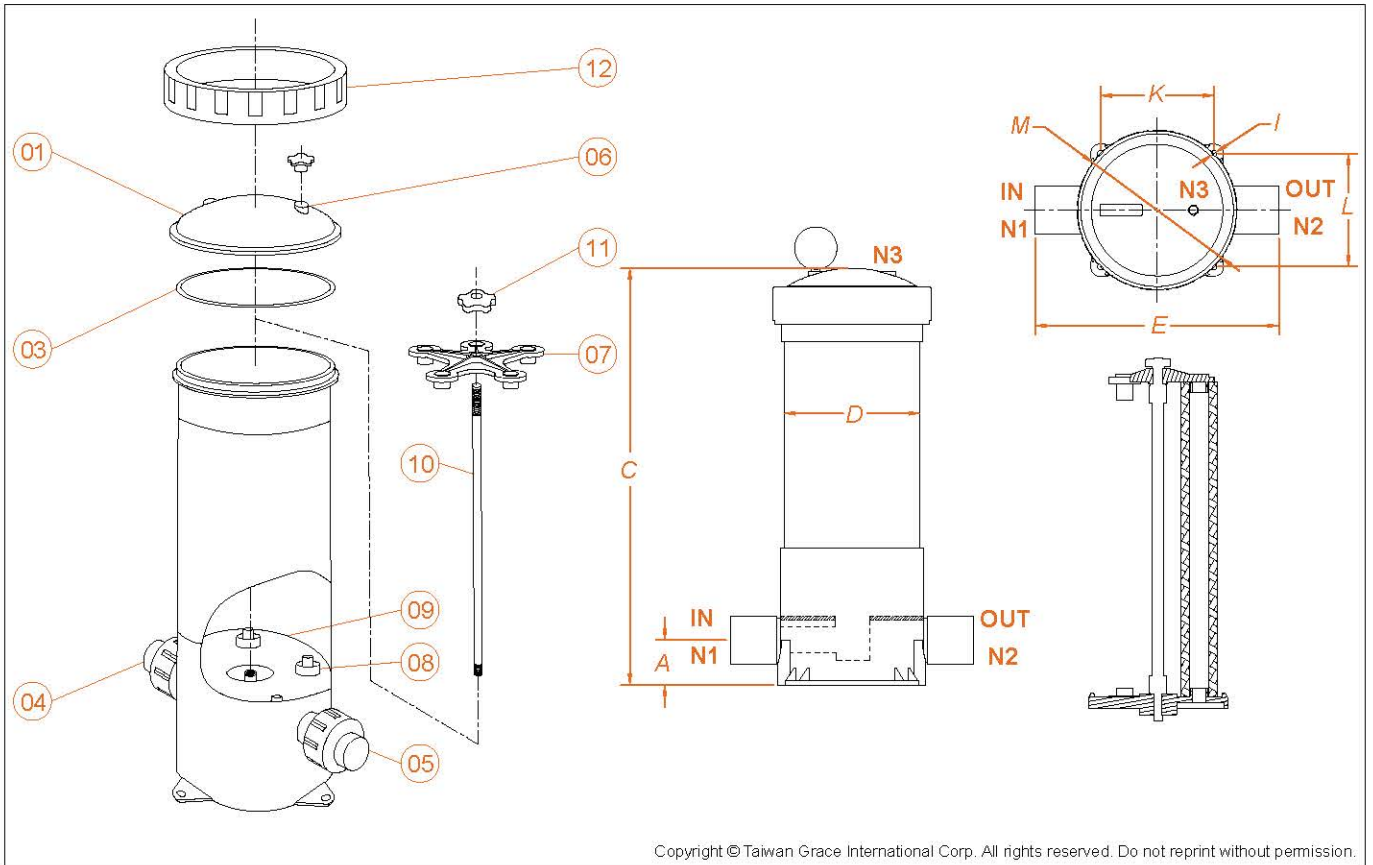
Operation Data

Maximum Operating Temperature : 60°C (140°F)
Maximum Operating Pressure : 4 bar(58 psi)

Ordering Information

Type	Length of Cartridge	Material of Construction	Number of Cartridges	Inlet/Outlet Size (inch/mm)		O-ring Option
				Pipe Standard	Gauge Size	
UFC Cartridge Filter Housing	10 - 10"	U - UPVC	3 - 3pcs 5 - 5pcs	A - ANSI	15 - 1.5"(48mm)	E -EPDM V -Viton S -Silicone
	20 - 20"				20 - 2"(60mm)	
	30 - 30"			D - DIN	40 - 50mm	
	40 - 40"				50 - 63mm	
UFC Cartridge Filter Housing	30 30"	U UPVC	5 5pcs	A ANSI	20 2"	E EPDM O-ring

UPVC Filter Cartridge Housings



Components

No.	Description	Qty
01	Top Cap	1
02	Shell	1
03	O-ring	1
04	Port(Inlet)	1
05	Port(Outlet)	1
06	Vent	1
07	Cartridge Squeeze Plate	1
08	Cartridge Bowl	3, 5
09	Cartridge Support Plate	1
10	Screw Stay	1
11	Nut	1
12	Retainer Ring	1

Dimensions

Model	A	C	ØD	E		ØJ	K	L	ØM	N1	N2	N3	Flow Rate	G. Weight
				DIN/ANSI 1.5"	DIN/ANSI 2"									
UFC10U3/5	75	465	225	365	473	10	188	186	262	DIN/ANSI 1.5"	1/4"	1/4"	0~ 25 GPM / 0~ 5 m ³ /hr	8.0kg
UFC20U3/5	75	715	225	365	473	10	188	186	262				0~ 55 GPM / 0~ 11 m ³ /hr	9.5kg
UFC30U3/5	75	965	225	365	473	10	188	186	262	DIN/ANSI 2"	1/4"	1/4"	0~ 85 GPM / 0~ 17 m ³ /hr	13.0kg
UFC40U3/5	75	1215	225	365	473	10	188	186	262				0~110 GPM / 0~ 22 m ³ /hr	15.3kg

UNIT : mm

Customized housings are available on requests.

Actual flow rates will be determined on element selection and fluid viscosity.