



珠海市邦膜科技有限公司
ZHUHAI BANGMO TECHNOLOGY CO.,LTD.

Company profile:



Zhuhai BANGMO Technology Co., Ltd is a professional manufacturer with more than 20 years, specializing in **hollow fiber ultrafiltration membrane module** with various specifications (4/ 6/ 8/ 10”) and materials (PVDF/ PAN /PVC), specializing in **MBR membrane** and MBR bioreactor, widely applying in industrial installation, civil life and other fields for water treatment, etc.

With so many experienced experts, advanced production equipment and process, operating strictly under ISO quality management system.

Welcoming friends from all over the world to visit our factory and cooperate with us !

The 20 years history witness our hollow fiber membranes with competitive price and reliable service.

Address: No. 7 1St . NangPing Science and Technology Industrial Park. ZhuHai China
Postcode:519060 Tel: 0756-8917323 Fax: 0756 -8917386 website:
www.bangmon.com



Inlet flux requirements:

PH Range:	2-11
Temperature Range:	5-45° C
Turbidity	PVC<15NTU PVDF<25NTU
Instantaneous Maximum Residual Chlorine Concentration	100PPM(Less than 10mins)
Maximum Ozone Concentration	<0.5mg/L
Oil Content	<2mg/L
Iron Content	<1mg/L
Total Dissolved Solids Content	<5wt%

Ultrafiltration Operating Parameters:

Operation Mode	Cross filtration / Dead-end filtration
Designed Flux	PVC:35-100L/m ² .h;PVDF:40-120L/m ² .h 0.1MPA. 25°C
Inlet Pressure	PVC<0.2MPA; PVDF<0.15MPA.
Backwashing Pressure	<0.2MPA
Trans-membrane Differential Pressure	PVC<0.2MPA; PVDF<0.15MPA.

Outlet flux standard:

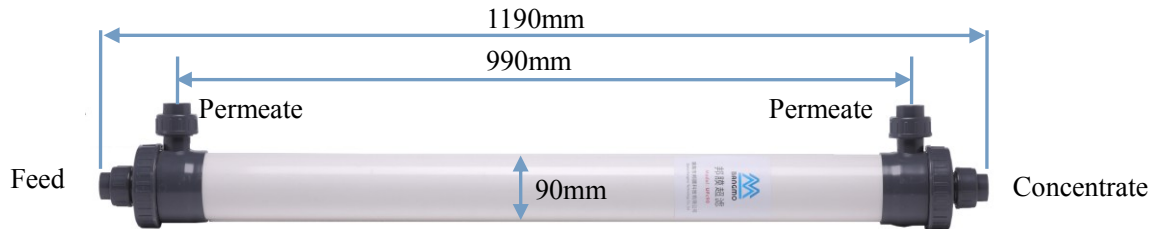
- *When turbidity of feed water is less than 5NTU, produced water SDI is less than 2.
When turbidity of feed water is between 5 NTU and 15 NTU, produced water SDI is less than 3.
- *Produced water turbidity is less than 0.1NTU.
- *Removal rate of PMs bigger than 1 micron is more than 99.99%.
- *Removal rate of bacteria and viruses is more than 99.99%.

Notice: Periodic cleaning and disinfection to the UF system are needed to ensure removal rate of bacteria and viruses reach the standard.



Product specification:

UFc90AL (4")



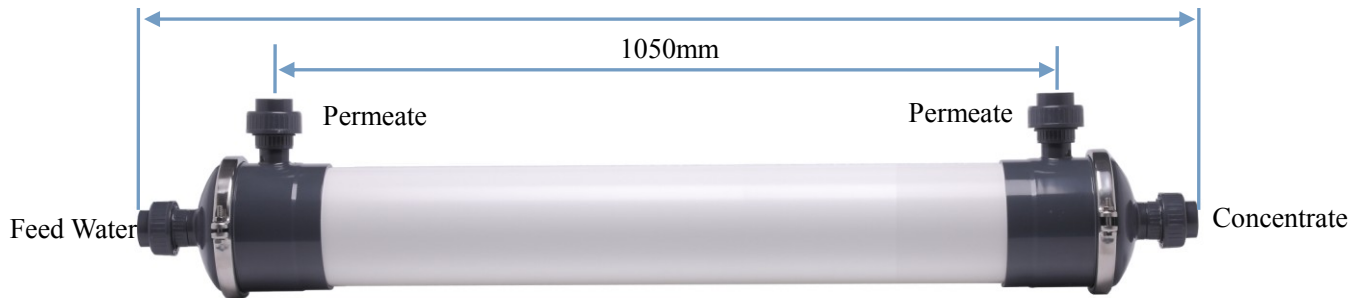
Ultra filtration components parameters:

Name	UFc90AL (4") ultrafiltration membrane
Element size	ø90×1190 mm
Active membrane area	4.8 m ²
Designed produced water flow	0.2-0.6 t/h
Membrane material	PVC / PAN
Pore size	0.01 μ m
ID/OD of hollow fiber	1.0 mm / 1.8 mm
Membrane components structure	Inside-out
MWCO	100,000 Dalton
Range of PH	2-10 , Washing: 2-12
Working temperature	5~45℃
Maximum operating pressure	0.3 Mpa
Maximum transmembrane pressure	0.2Mpa
Material of housing	UPVC
Material of end seal	Epoxy resins
Water Inlet/Outlet/Concentrate pipe	OD 32mm PVC pipe



UFc160AL (6")

1415mm



Ultra filtration components parameters:

Name	UFc160AL (6") ultrafiltration membrane
Element size	Ø160x1415 mm
Active membrane area	16 m ²
Designed produced water flow	0.7-1.5 t/h
Membrane material	PVC / PAN
Pore size	0.01 μ m
ID/OD of hollow fiber	1.0 mm / 1.8 mm
Membrane components structure	Inside-out
MWCO	100,000 Dalton
Range of PH	2-10 , Washing: 2-12
Working temperature	5~45°C
Maximum operating pressure	0.3 Mpa
Maximum transmembrane pressure	0.2Mpa
Material of housing	UPVC
Material of end seal	Epoxy resins
Water Inlet/Outlet/Concentrate pipe	OD 40mm PVC pipe



UFc200BL (8")



Ultra filtration components parameters:

Name	UFc200BL (8") ultrafiltration membrane
Element size	Ø200x1710 mm
Active membrane area	34 m ²
Designed produced water flow	1.5-3.5 t/h
Membrane material	PVC / PAN
Pore size	0.01 μ m
ID/OD of hollow fiber	1.0 mm / 1.8 mm
Membrane components structure	Inside-out
MWCO	100,000 Dalton
Range of PH	2-10 , Washing: 2-12
Working temperature	5~45°C
Maximum operating pressure	0.3 Mpa
Maximum transmembrane pressure	0.2Mpa
Material of housing	UPVC
Material of end seal	Epoxy resins
Water Inlet/Outlet/Concentrate pipe	OD 50mm PVC pipe



UFc250B (10")

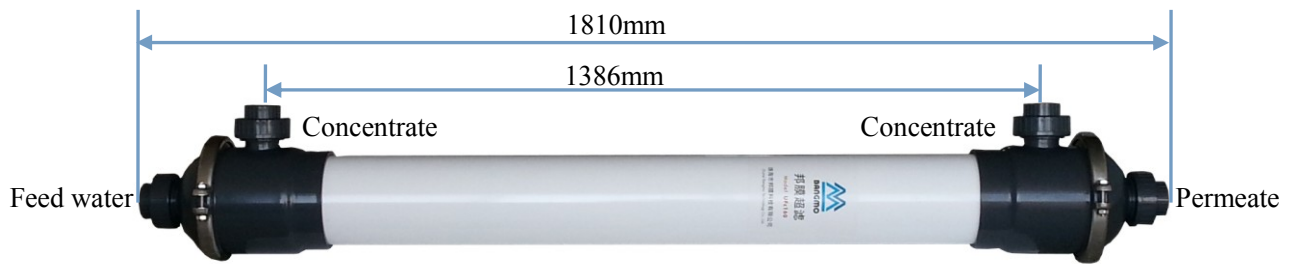


Ultra filtration components parameters:

Name	UFc250B (10") ultrafiltration membrane
Element size	Ø250x1710 mm
Active membrane area	48 m ²
Designed produced water flow	2-5 t/h
Membrane material	PVC / PAN
Pore size	0.01 μ m
ID/OD of hollow fiber	1.0 mm / 1.8 mm
Membrane components structure	Inside-out
MWCO	100,000 Dalton
Range of PH	2-10 , Washing: 2-12
Working temperature	5~45℃
Maximum operating pressure	0.3 Mpa
Maximum transmembrane pressure	0.2Mpa
Material of housing	UPVC
Material of end seal	Epoxy resins
Water Inlet/Outlet/Concentrate pipe	OD 50mm PVC pipe



UFf160 (6")



Ultra filtration components parameters:

Name	UFf160 (6") ultrafiltration membrane
Element size	Ø160x1810 mm
Active membrane area	40 m ²
Designed produced water flow	1.5~4.8 t/h
Membrane material	PVDF
Pore size	0.1 μ m
ID/OD of hollow fiber	0.8 mm / 1.3 mm
Membrane components structure	Outside-in
MWCO	200,000 Dalton
Range of PH	2-10 , Washing: 2-12
Working temperature	5~45°C
Maximum operating pressure	0.3 Mpa
Maximum transmembrane pressure	0.2Mpa
Material of housing	UPVC
Material of end seal	Epoxy resins
Water Inlet/Outlet/Concentrate pipe	OD 50mm PVC pipe



UFf200 (8")



Ultra filtration components parameters:

Name	UFf200 (8") ultrafiltration membrane
Element size	Ø200x1710 mm
Active membrane area	47 m ²
Designed produced water flow	1.8~5.6 t/h
Membrane material	PVDF
Pore size	0.1 μ m
ID/OD of hollow fiber	0.8 mm / 1.3 mm
Membrane components structure	Outside-in
MWCO	200,000 Dalton
Range of PH	2-10 , Washing: 2-12
Working temperature	5~45°C
Maximum operating pressure	0.3 Mpa
Maximum transmembrane pressure	0.2Mpa
Material of housing	UPVC
Material of end seal	Epoxy resins
Water Inlet/Outlet/Concentrate pipe	OD 50mm PVC pipe



UFf250 (10")



Ultra filtration components parameters:

Name	UFf250B (10") ultrafiltration membrane
Element size	Ø250 x1710 mm
Active membrane area	78 m ²
Designed produced water flow	3~9 t/h
Membrane material	PVDF
Pore size	0.1 μ m
ID/OD of hollow fiber	0.8 mm / 1.3 mm
Membrane components structure	Outside-in
MWCO	200,000 Dalton
Range of PH	2-10 , Washing: 2-12
Working temperature	5~45°C
Maximum operating pressure	0.3 Mpa
Maximum transmembrane pressure	0.2Mpa
Material of housing	UPVC
Material of end seal	Epoxy resins
Water Inlet/Outlet/Concentrate pipe	OD 50mm PVC pipe



珠海市邦膜科技有限公司
ZHUHAI BANGMO TECHNOLOGY CO.,LTD.

Application:



Address: No. 7 1St . NangPing Science and Technology Industrial Park. ZhuHai China
Postcode:519060 Tel: 0756-8917323 Fax: 0756 -8917386 website:
www.bangmon.com



珠海市邦膜科技有限公司
ZHUHAI BANGMO TECHNOLOGY CO.,LTD.

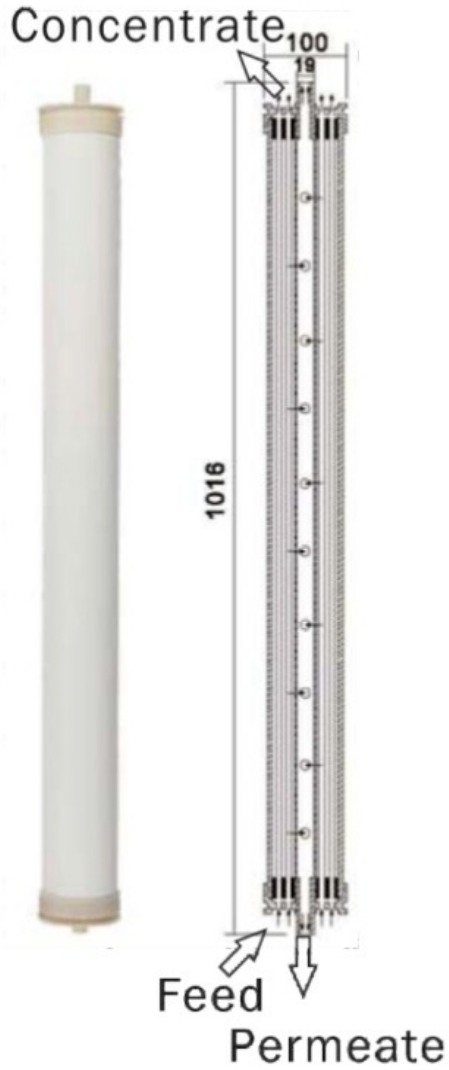


Address: No. 7 1St . NangPing Science and Technology Industrial Park. ZhuHai China
Postcode:519060 Tel: 0756-8917323 Fax: 0756 -8917386 website:
www.bangmon.com



UFc4040

(Fitting in RO shell)





珠海市邦膜科技有限公司

ZHUHAI BANGMO TECHNOLOGY CO.,LTD.

Ultra filtration components parameters:

Name	UFc4040 ultrafiltration membrane
Element size	Ø95 x1016 mm
Active membrane area	3.8 m ²
Designed produced water flow	0.2~0.4 t/h
Membrane material	PVC / PAN
Pore size	0.01 μ m
ID/OD of hollow fiber	1.0 mm / 1.8 mm
Membrane components structure	Inside-out
MWCO	100,000 Dalton
Range of PH	2-10 , Washing: 2-12
Working temperature	5~45°C
Maximum operating pressure	0.3 Mpa
Maximum transmembrane pressure	0.2Mpa
Material of housing	ABS
Application	Fitting in 4040 RO shell

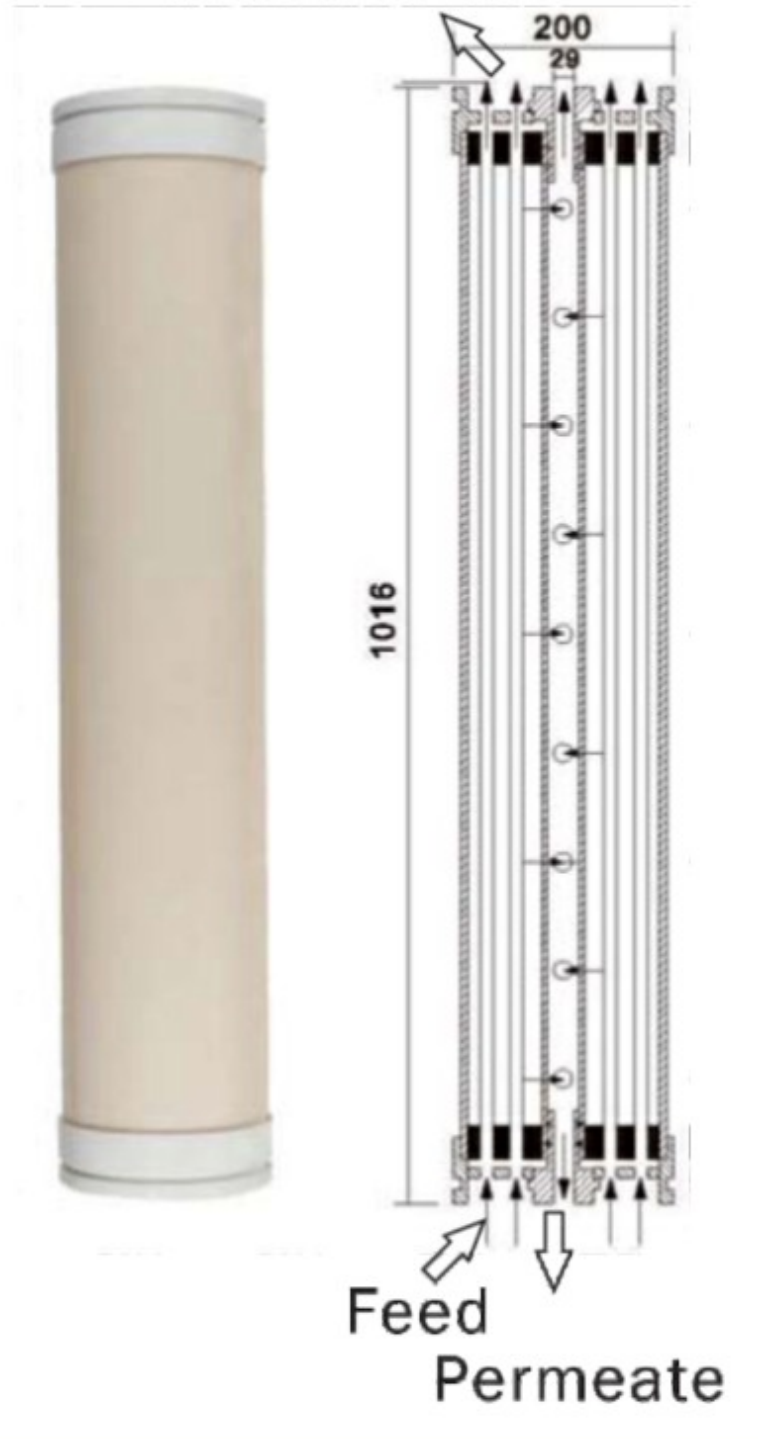
Address: No. 7 1St . NangPing Science and Technology Industrial Park. ZhuHai China
Postcode:519060 Tel: 0756-8917323 Fax: 0756 -8917386 website:
www.bangmon.com



UFc8040

(Fitting in RO shell)

Concentrate





珠海市邦膜科技有限公司

ZHUHAI BANGMO TECHNOLOGY CO.,LTD.

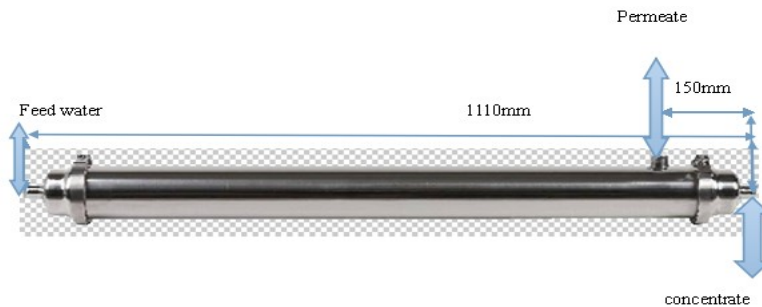
Ultra filtration components parameters:

Name	UFc8040 ultrafiltration membrane
Element size	Ø200 x1016 mm
Active membrane area	19 m ²
Designed produced water flow	0.8~1.5 t/h
Membrane material	PVC / PAN
Pore size	0.01 μ m
ID/OD of hollow fiber	1.0 mm / 1.8 mm
Membrane components structure	Inside-out
MWCO	100,000 Dalton
Range of PH	2-10 , Washing: 2-12
Working temperature	5~45°C
Maximum operating pressure	0.3 Mpa
Maximum transmembrane pressure	0.2Mpa
Material of housing	ABS
Application	Fitting in 8040 RO shell

Address: No. 7 1St . NangPing Science and Technology Industrial Park. ZhuHai China
Postcode:519060 Tel: 0756-8917323 Fax: 0756 -8917386 website:
www.bangmon.com



UFc50c

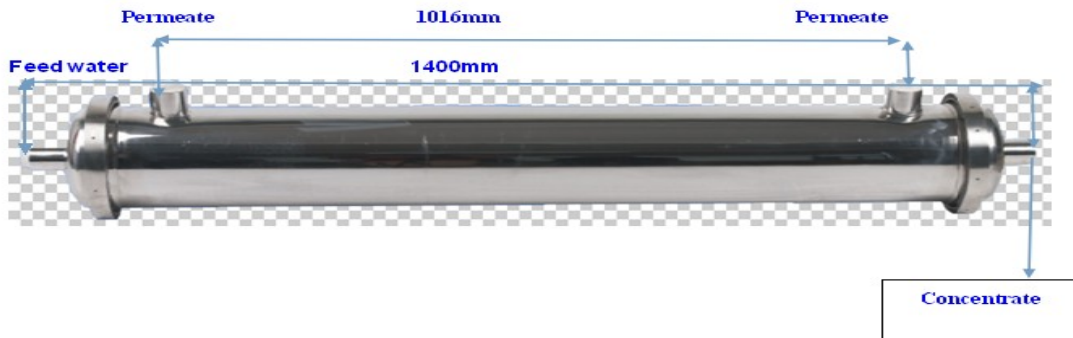


Ultra filtration components parameters:

Name	UFc50C ultrafiltration membrane
Element size	Ø105 x1110 mm
Active membrane area	5.4 m ²
Designed produced water flow	0.3~0.6 t/h
Membrane material	PVC / PAN
Pore size	0.01 μ m
ID/OD of hollow fiber	1.0 mm / 1.8 mm
Membrane components structure	Inside-out
MWCO	100,000 Dalton
Range of PH	2-10 , Washing: 2-12
Working temperature	5~45°C
Maximum operating pressure	0.3 Mpa
Maximum transmembrane pressure	0.2Mpa
Material of housing	304 Stainless steel
Application	For drinking/wine/juice/medicine water



UFc80C

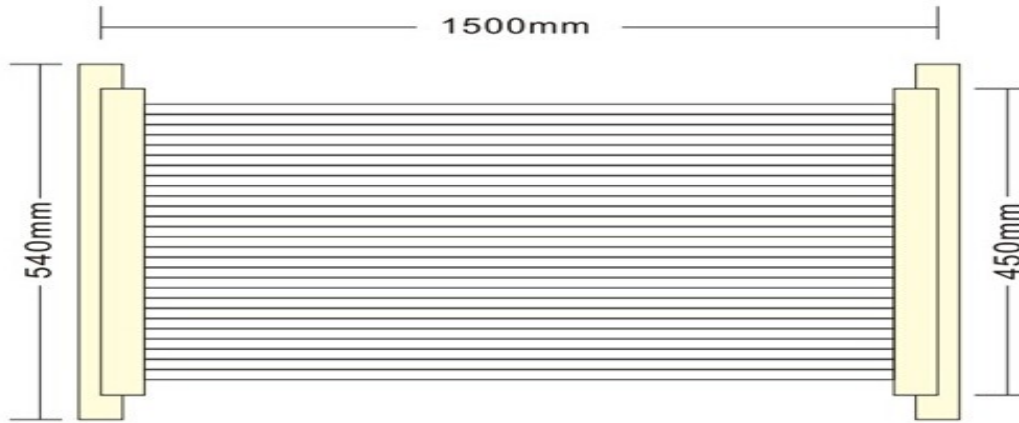


Ultra filtration components parameters:

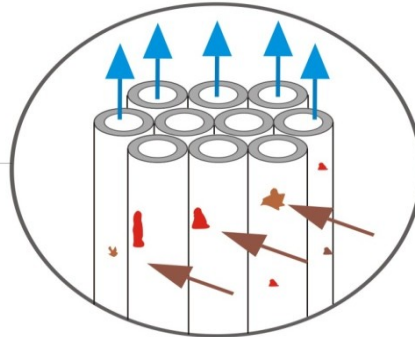
Name	UFc80C ultrafiltration membrane
Element size	Ø195 x1400 mm
Active membrane area	26 m ²
Designed produced water flow	1.2~2.5 t/h
Membrane material	PVC / PAN
Pore size	0.01 μ m
ID/OD of hollow fiber	1.0 mm / 1.8 mm
Membrane components structure	Inside-out
MWCO	100,000 Dalton
Range of PH	2-10 , Washing: 2-12
Working temperature	5~45°C
Maximum operating pressure	0.3 Mpa
Maximum transmembrane pressure	0.2Mpa
Material of housing	304 Stainless steel
Application	For drinking/wine/juice/medicine water



MBR membrane (BM-MBR-20) :



■ Ultrafiltration Components



The feed water flows into hollow fiber membrane from external, water, small molecules, ions and etc permeate to the internal membrane, so that come into permeability fluid, also solid particles are trapped in the outside of the hollow fiber membrane.



Specification:

Name	MBR membrane (BM-MBR-20)
Element size	540mm*1500mm
Active membrane area	20m ²
Designed membrane flow	10-20 L/m ² h. 25°C. 0.1Mpa
Membrane material	PVDF
Pore size	0.1 μ m
ID/OD of hollow fiber	0.8 mm / 1.3mm
Membrane components structure	Outside-in
MWCO	200,000 Dalton
MLSS(mg/l)	6000-8000
Maximum trans membrane pressure	50KPa
Maximum backwash pressure	0.1MPa
Range of PH	5~9 , Washing: 2-12
Working temperature	5-45°C
Pipeline interface	Dn25
Aeration rate	3Nm ³ / h
Filtration method	Negative pressure suction
Operation way	Opening 8min stop 2min, Opening 9min stop 1min.



MBR membrane with stainless steel frame:



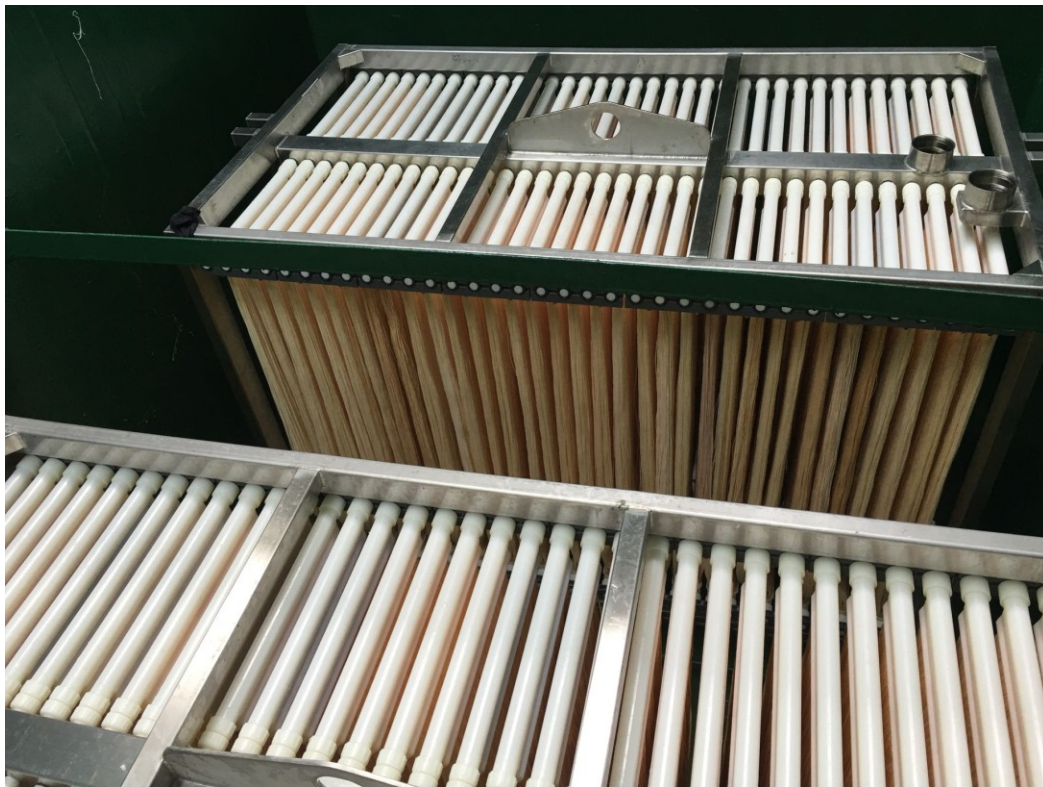
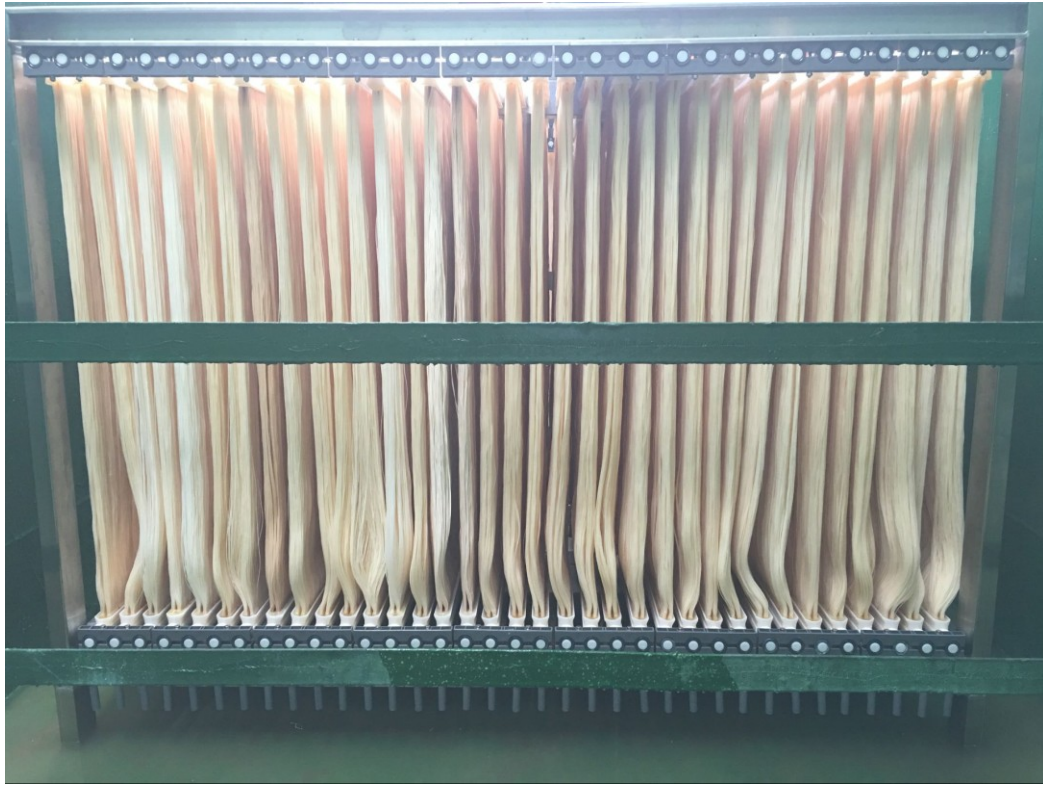
Specification:

Membrane module	BM-MBR-280
Active membrane area	280 m ²
Filtration precision	0.1 μ m
Water outlet / Air inlet dimension	Dn40
Aerator pipe dimension	Dn15
The number of MBR	14nos
Membrane module	BM-LMBR-20
Designed water flow	10-20L/m ² .h(25°C)
Aeration rate	42Nm ³ /h
Filtration way	Negative pressure suction
L*W*H	1225mm*670mm*1815mm
Membrane frame material	304 stainless steel, 40*40 Square steel, t=2mm
Operation mode	Operate 8min stop 2min, Operate 9min stop 1min.



珠海市邦膜科技有限公司
ZHUHAI BANGMO TECHNOLOGY CO.,LTD.

Application – MBR membrane



Address: No. 7 1St . NangPing Science and Technology Industrial Park. ZhuHai China
Postcode:519060 Tel: 0756-8917323 Fax: 0756 -8917386 website:
www.bangmon.com



Working process diagram:

